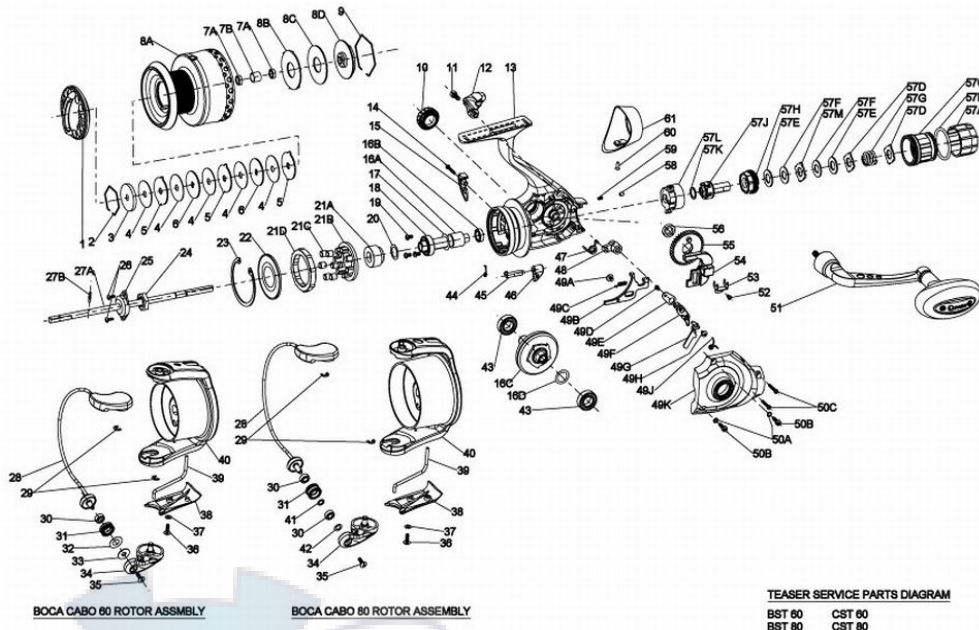




**Cabo PT Bait Teaser**  
**CST80PTs**



| Quantum Cabo CST80PTs Bait Teaser Reel Part List |                                    |           |       |                                    |           |
|--|------------------------------------|-----------|-------|------------------------------------|-----------|
| Key #  | Description                        | Part No.  | Key # | Description                        | Part No.  |
| 1  | DRAG KNOB ASSEMBLY                 | NT332-51  | 33    | LINE ROLLER COLLAR                 | N/A       |
| 2  | SPOOL RETAINER - TOP               | BT038-02  | 34    | ARM LEVER ASSEMBLY                 | BT407-04  |
| 3  | DRAG WASHER "C"                    | CT080-02  | 35    | SCREW - LINE SLIDER                | AQ108-07  |
| 4  | DRAG WASHER "B" - FRICTION         | BT033-01  | 36    | ARM LEVER COVER SCREW              | GU077-13  |
| 5  | DRAG WASHER "A"                    | BT081-01  | 37    | ARM LEVER COVER WASHER             | SQ142-01  |
| 6  | DRAG WASHER "D"                    | BT080-01  | 38    | ARM LEVER COVER                    | DT087-01  |
| 7  | SPOOL BUSHING OR BEARING KIT       | CT4157-02 | 39    | KICK LEVER                         | DT019-01  |
| 7-A  | 7A - SPOOL BUSHING OR BEARING (2)  | N/A       | 40    | ROTOR ASSEMBLY                     | N/A       |
| 7-B  | 7B - SPOOL SPACER                  | N/A       | 41    | SPACER                             | DT167-01  |
| 8  | SPOOL ASSEMBLY KIT                 | ET4321-51 | 42    | LINE ROLLER WASHER                 | DT229-01  |
| 8-A  | 8A - SPOOL ASSEMBLY                | N/A       | 43    | CRANK BEARING (2)                  | BT157-01  |
| 2  | 2 - SPOOL RETAINER - TOP           | N/A       | 44    | ANTI-REVERSE CAM SPRING            | N/A       |
| 3  | 3 - DRAG WASHER "C"                | N/A       | 45    | ANTI REVERSE CAM                   | N/A       |
| 4  | 4 - DRAG WASHER "B" (5) - FRICTION | N/A       | 46    | ANTI REVERSE LEVER                 | N/A       |
| 5  | 5 - DRAG WASHER "A" (3)            | N/A       | 47    | SPRING - LEVER                     | MT216-01  |
| 6  | 6 - DRAG WASHER "D" (2)            | N/A       | 48    | PIN - LEVER                        | NT113-01  |
| 7  | 7 - SPOOL BUSHING OR BEARING KIT   | N/A       | 49    | BODY COVER KIT                     | NT4023-51 |
| 8-B  | 8B - SPOOL WASHER                  | N/A       | 49-A  | 49A - SCREW                        | N/A       |
| 8-C  | 8C - DRAG WASHER "E"               | N/A       | 49-B  | 49B - PAWL                         | N/A       |
| 8-D  | 8D - DRAG CLICK ASSEMBLY           | N/A       | 49-C  | 49C - SPRING - PAWL                | N/A       |
| 9  | 9 - SPOOL RETAINER - BOTTOM        | N/A       | 49-D  | 49D - SCREW                        | N/A       |
| 9  | SPOOL RETAINER - BOTTOM            | BT038-01  | 49-E  | 49E - RETAINER PLATE               | N/A       |
| 10   | HANDLE CAP                         | BT373-51  | 49-F  | 49F - PIVOT PIN                    | N/A       |
| 11   | SCREW - LEVER                      | MT106-01  | 49-G  | 49G - TRIP LINK                    | N/A       |
| 12   | LEVER - FREE SPOOL                 | MT112-01  | 49-H  | 49H - SCREW                        | N/A       |
| 13   | BODY ASSEMBLY                      | NT301-51  | 49-J  | 49J - SPRING - TRIP LINK           | N/A       |
| 14   | SCREW - TRIP RAMP                  | BT136-01  | 49-K  | 49K - BODY COVER                   | N/A       |
| 15   | TRIP RAMP                          | NT243-01  | 50    | BODY COVER SCREW KIT               | MT4057-02 |
| 16   | GEAR KIT                           | MT4011-52 | 50-A  | 50A - SCRATCH PROTECT WASHER (2)   | N/A       |
| 16-A   | 16A - PINION GEAR                  | N/A       | 50-B  | 50B - BODY COVER SCREW (2)         | N/A       |
| 16-B   | 16B - PINION BEARING/BUSHING       | N/A       | 50-C  | 50C - BODY SCREW (2)               | N/A       |
| 16-C   | 16C - DRIVE GEAR ASSEMBLY          | N/A       | 51    | HANDLE ASSY                        | DT318-51  |
| 16-D   | 16D - D.GEAR ADJUST WASHER         | N/A       | 52    | SCREW                              | MT111-01  |
| 17   | PINION GEAR WASHER                 | BT110-01  | 53    | SLIDER RETAINER                    | NT078-01  |
| 18   | PINION BALL BEARING                | DT157-01  | 54    | OSCILLATOR SLIDER                  | NT025-01  |
| 19   | SCREW (3)                          | TK057-01  | 55    | OSCILLATOR GEAR                    | DT053-01  |
| 20   | WASHER                             | MT110-01  | 56    | OSCILLATOR GEAR BUSHING            | BT158-01  |
| 21   | CLUTCH ASSEMBLY KIT                | DT4360-01 | 57    | BAIT DRAG ASSEMBLY KIT             | MT4338-01 |
| 21-D   | 21D - CLUTCH LOCK RING             | N/A       | 57-A  | 57A - BAIT DRAG COVER              | N/A       |
| 21-C   | 21C - CLUTCH ROLLER (7)            | N/A       | 57-B  | 57B - O RING                       | N/A       |
| 21-B   | 21B - CLUTCH RETAINER              | N/A       | 57-C  | 57C - BAIT DRAG KNOB               | N/A       |
| 21-A   | 21A - CLUTCH SLEEVE                | N/A       | 57-D  | 57D - WASHER - TABBED (2)          | N/A       |
| 22   | CLUTCH SEAL                        | DT166-01  | 57-E  | 57E - WASHER - FRICTION (2)        | N/A       |
| 23   | RETAINER RING - CLUTCH SEAL        | DT060-01  | 57-F  | 57F - WASHER - KEYED (2)           | N/A       |
| 24   | ROTOR NUT                          | BT006-01  | 57-G  | 57G - COMPRESSION SPRING           | N/A       |
| 25   | MAIN SHAFT BUSHING                 | DT214-01  | 57-H  | 57H - ADJUSTMENT SCREW - BAIT DRAG | N/A       |
| 26   | ROTOR NUT LOCK SCREW (2)           | RQ094-01  | 57-J  | 57J - DRIVE ASSEMBLY               | N/A       |
| 27   | MAIN SHAFT KIT                     | NT4015-01 | 57-K  | 57K - WASHER - FRICTION            | N/A       |
| 27-A   | 27A - MAIN SHAFT                   | N/A       | 57-L  | 57L - HOUSING - BAIT DRAG          | N/A       |
| 27-B   | 27B - MAIN SHAFT PIN               | N/A       | 57-M  | 57M - WASHER - TABBED (1)          | N/A       |
| 28   | BAIL ASSEMBLY                      | DT347-02  | 58    | BUTTON - BAIT CLICKER              | HT149-01  |
| 29   | E-CLIP - BAIL ASSEMBLY (2)         | GH034-01  | 59    | SPRING - BAIT CLICKER              | MT083-01  |
| 30   | LINE ROLLER BEARING                | DT202-01  | 60    | SCREW - REAR COVER                 | MT168-01  |
| 31   | LINE ROLLER                        | TK004-03  | 61    | REAR COVER                         | NT250-01  |
| 32   | LINE ROLLER WASHER                 | N/A       |       |                                    |           |